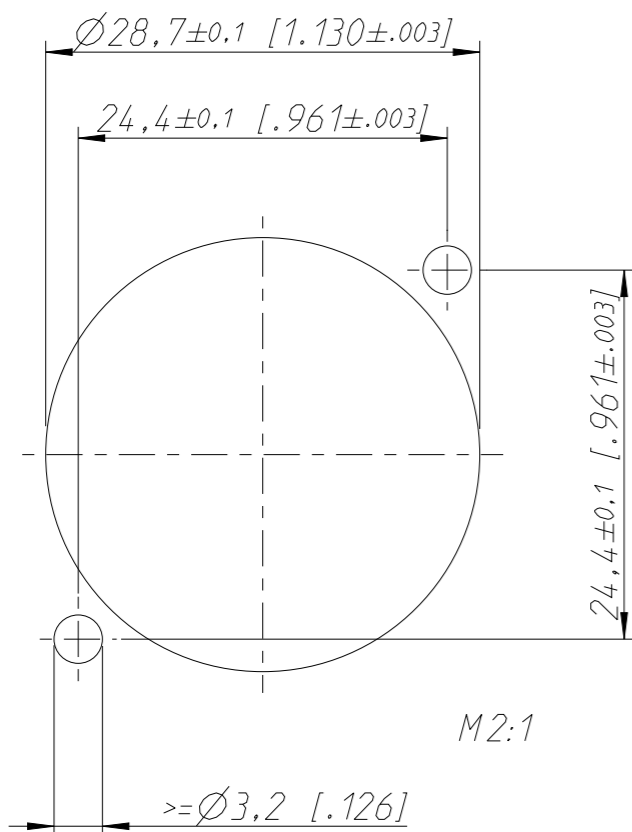
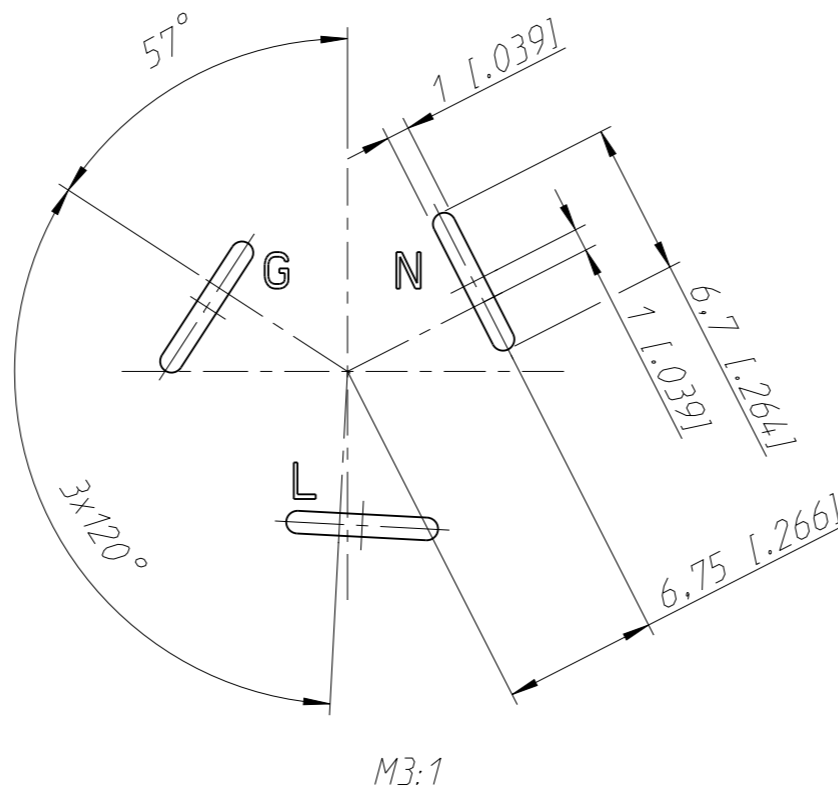


Frontplattenausschnitt Rückseite
panel cutout rearside



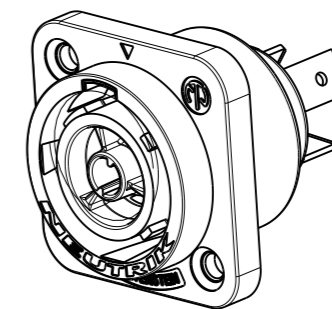
M2:1

Leiterplatten Layout Bestückungsseite
PCB-Layout (component side)
Toleranz: ±0.05 [0.002]



M3:1

APPLIANCE OUTLET!



M1:1

Sheet Number 1/1	Projection 	Scale 2:1	Format A3	Tolerancing ISO 2768-mK	
ECN Number -		Created 03.05.2018	Modified n.a.	noe	
Description NAC3FPX-WOT-TOP			Approved 29.09.2021	tos	
			Status Released		
			3D Model ID 30009236	Document ID 20003617	Revision -
NEUTRIK					