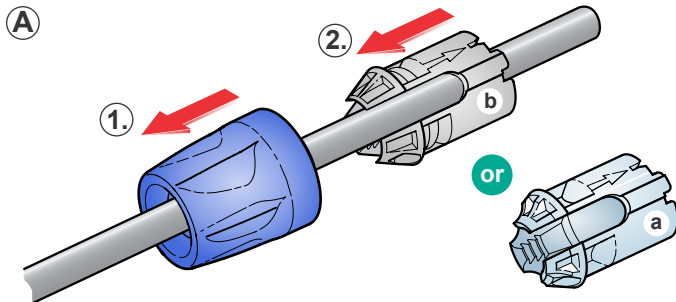




ASSEMBLY INSTRUCTION

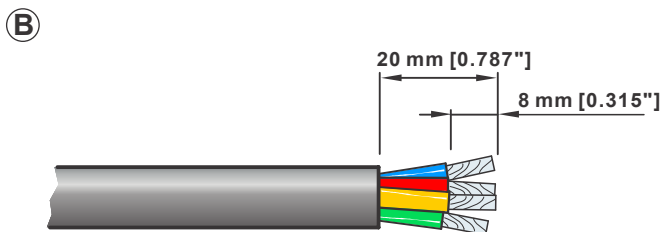
NL4FC | speakON® - Lockable Loudspeaker Connector

Attention: speakON® is not to be used as an AC mains or power supply connector!



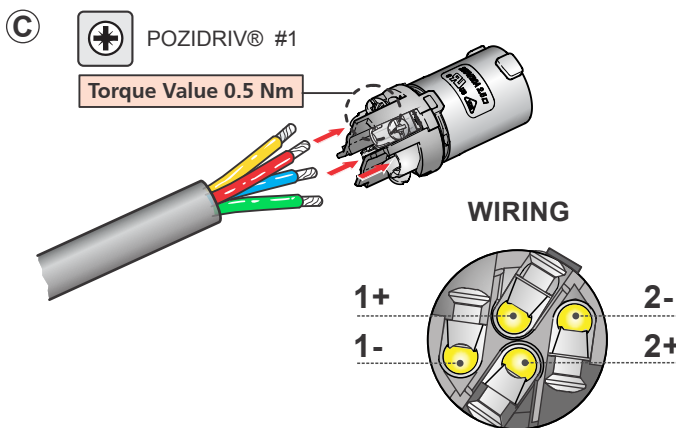
A Place the bushing (1) and the chuck (2) over the cable.

White chuck (a): 6.0 - 11.0 mm [0.236 - 0.433"]
Black chuck (b): 9.5 - 15.0 mm [0.374 - 0.59"]



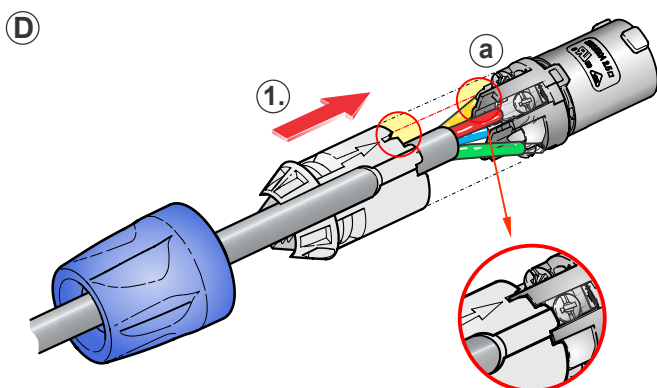
B Prepare the cable as shown.

Cable O.D.: 6.0 - 15.0 mm [0.236 - 0.59"]
Wire size: 4 mm² (AWG 12)



C Insert the wires into the terminals and fasten the clamping device with a screw driver (POZIDRIV® #1).

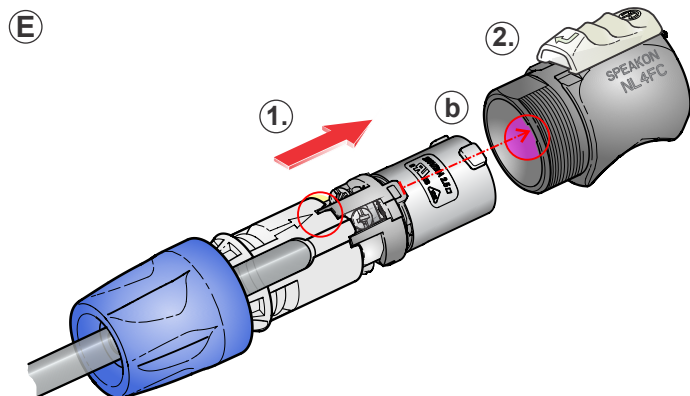
Max. torque 0.5 Nm (0.37 lb-ft).



D Slide the chuck (1) onto the insert.

Important:
(a) Align the chuck by positioning the nose into the recess.



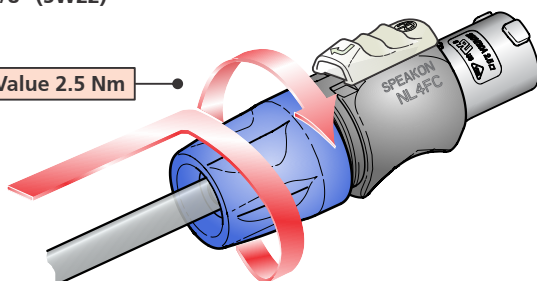


E Slide the insert and the chuck (1) into the housing (2).

Important:
(b) Pay attention to the guiding keyway!

F  Wrench size 7/8" (SW22)

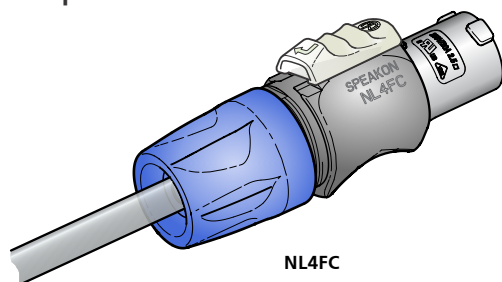
Torque Value 2.5 Nm



F Fasten the bushing with a fork wrench 7/8" (SW 22).

OPTION:
Use the handtool HTFAC to tighten the bushing.

FINISHED speakON



NL4FC



Find more details of speakON on www.neutrik.com.

Neutrik AG	LI	T: +423 / 237 24 24	F: +423 / 232 53 93	Neutrik France	FR	T: +33 1 / 4131 6750	F: +33 1 / 4131 0511
Neutrik USA Inc.	USA	T: +1 704 / 972 3050	F: +1 704 / 438 9202	Neutrik Tokyo Ltd.	JP	T: +81 3 / 3663 4733	F: +81 3 / 3663 4796
Neutrik (UK) Ltd.	UK	T: +44 1983 / 811 441	F: +44 1983 / 811 439	Neutrik Hong Kong Ltd.	HK	T: +852 / 2687 6055	F: +852 / 2687 6052
Neutrik Vertriebs GmbH	DE/NL/AT/DK	T: +49 8131 / 280 890	F: +49 8131 / 280 830	Neutrik India Pvt. Ltd.	IND	T: +91 / 982 05 43 424	F: +91 / 22 26163 540

Draft. Nr.: BDA 450 V2 | Update: 01.07.2019 | Data subject to change without prior notice. © 2019 NEUTRIK®. NEUTRIK® are registered trademark of NEUTRI AG. ALL RIGHTS RESERVED.